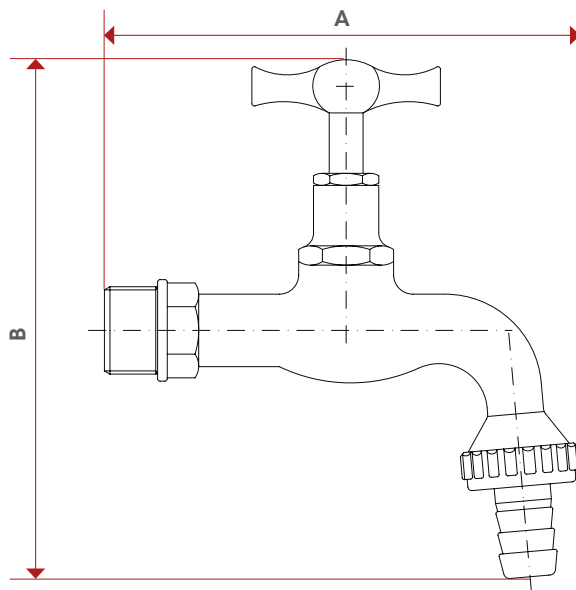


355L



	1/2"	3/4"
A	122	128
B	133	145
Kg/cm ² bar	8	8
LBS - psi	116	116